

## ANSI CLASS 300 CAST STEEL GLOBE VALVE

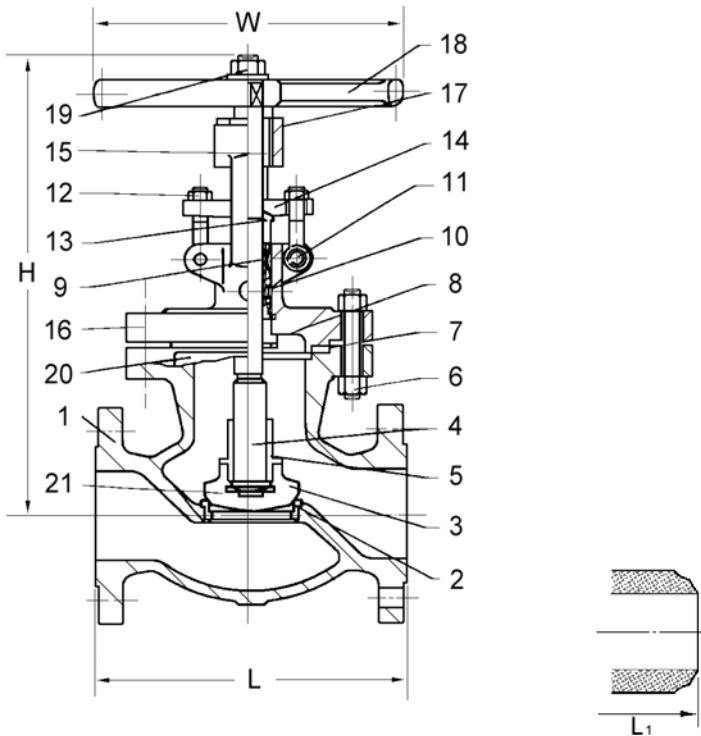
**FIG. 276-CS-300** Class 300, Flanged ends, bolted bonnet, WCB body & bonnet, 13Cr/HF trim.



Flange dimensions: ANSI B16.5  
 Butt weld dimensions: ANSI B16.25  
 Face-to-Face dimensions: ANSI B16.10  
 Testing: API 598  
 Design: API 600

**Materials:**

No.	Part Name	Specification
1	Body	A216 WCB
2	Seat ring	A105 HF
3	Disc	A276 – 410, 420
4	Stem	A276 – 410, 420
5	Disc nut	A276 – 420, 420
6	Stud/nut	B7/2H
7	Gasket	304SS Wound Grafoil
8	Back seat	A276 – 410, 420
9	Packing	Grafoil
10	Lantern*	A276-410, 420
11	Pin	Carbon steel
12	Eye bolt/nut	B7/2H
13	Gland	A276-410, 420
14	Gland flange	Carbon steel
15	Stem nut	D2
16	Bonnet	A216 WCB
17	Set screw	Carbon steel
18	Handwheel	Ductile iron
19	Handwheel nut	Carbon steel
20	Nameplate	321SS
21	Thrust plate	A276-420



**Note:** Standard is Plug style disc w/ threaded seat ring.

\*Supplied only on special order.

**Note:** Other body materials & trims are available upon request.

**Dimensions:**

Size		L – L1 (RF/BW)		H (open)		W		Weight RF		Weight BW	
in	mm	in	mm	in	mm	in	mm	lb	kg	lb	kg
2	50	10½	267	15 11/16	398	7¾	200	68	31	57	26
2½	65	11½	292	17¾	436	9¾	250	95	43	84	38
3	80	12½	318	18 3/16	462	9¾	250	125	57	97	44
4	100	14	356	22 1/16	560	13¾	350	189	86	150	68
5	125	15¾	400	24¾	620	15¾	400	286	130	242	110
6	150	17½	444	27 5/16	694	17¾	450	370	168	304	138
8	200	22	559	38¾	982	22 1/16	560	616	280	502	228
10	250	24½	622	41 5/16	1049	24	610	847	385	724	329
12	300	28	711	44½	1130	30	760	1593	724	1360	618